

cielux

W-series Maintenance Guide

General Guidelines

To ensure optimal performance and longevity of your Cielux W-series lights, follow the steps below as part of your regular maintenance routine.

Basic Maintenance

Keep Clean: Wipe down with a soft, dry cloth as needed to ensure there is no buildup of dust or salt.

Dust/Salt Buildup: Use compressed air or a soft brush to clean vents and lens. Use a lightly damp cloth to break up any heavy dust or salt.

Ambient Temp: 0°C-40°C (32°F-104°F). Ensure good airflow - don't block vents.

Ports: Ensure all ports are closed when not in use.

Inspect for Damage: Check cords, connectors, housing, and lens for wear or cracking.

Cleaning the Heat Sink

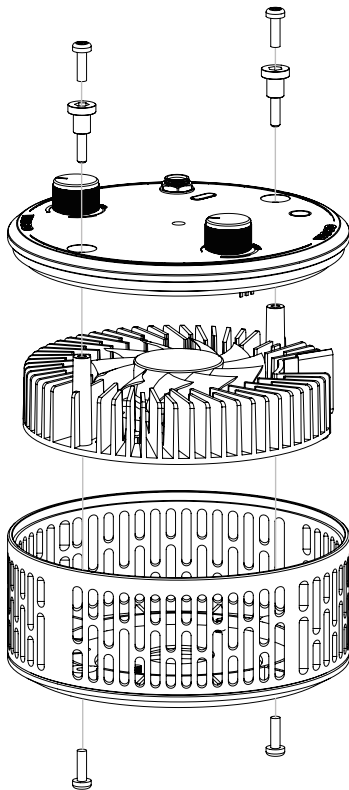
⚠ Power off and unplug before servicing.

Remove Outer Housing: Unscrew perimeter screws, lift off top cover.

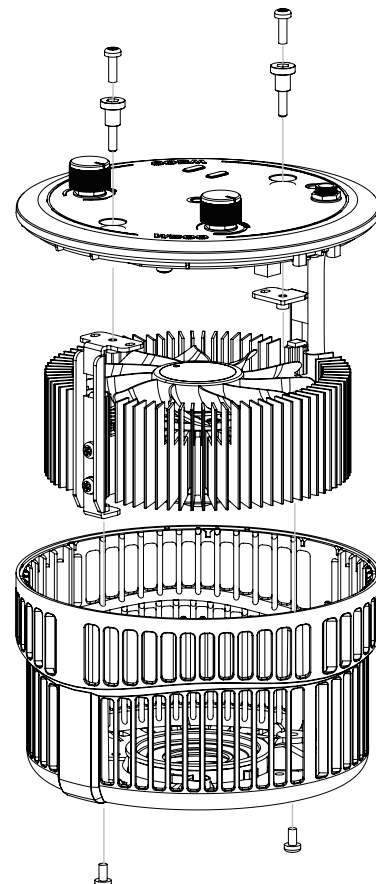
Clean Heat Sink: Use compressed air or a soft brush. Use reverse osmosis purified water or isopropyl rubbing alcohol. Ensure the fixture is fully dry (a minimum of 4 hours) prior to reapplying electrical power.

Reassemble: Realign housing and screws securely.

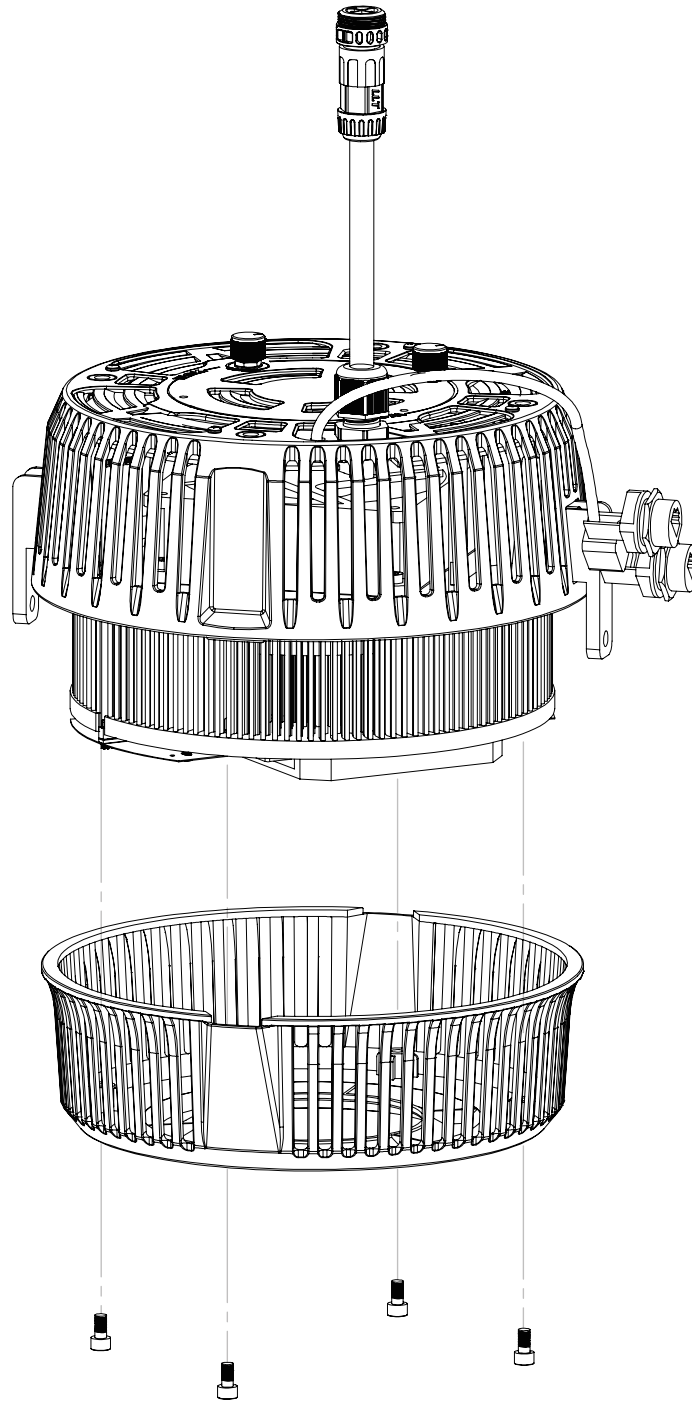
W360



W500



W2K



Recommended Maintenance Schedule

TASK	FREQUENCY
Wipe down	Every 1-2 months
Visual Inspection	Every 3-6 months
Remove housing and clean heat sink	Every 6-12 months

***Note:** Environments with high salt, ambient humidity, temperatures, or other harsh conditions should increase the frequency of this maintenance as needed to avoid substantial dust or salt buildup on fixtures.