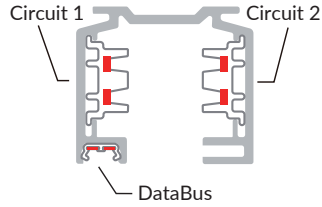
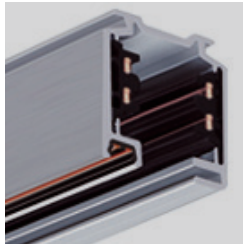


DMX Track with DataBus

FEATURES



Integrated Power & Data

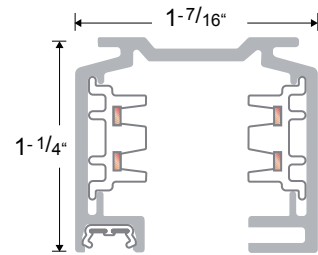
Two independent circuits power fixtures, while the built-in DataBus supplies DMX signals for remote operation.

Simple Installation

Track segments can be cut on-location to custom lengths and easily surface mounted through pre-drilled mounting slots.

TRACK SPECIFICATIONS

Track Type	Surface Mounted Track (commercial grade)
Conductors	7 (2 per circuit, 2 for data bus, 1 for ground)
Circuits	2 (20A max per circuit)
Data Bus	22 Gauge Nickel Plated Copper
Number of DMX Fixtures	30 Max
Max Load	22lbs (per foot of track)
Color Options	Black / White
Segment Length Options	4ft / 8ft / 12ft
Track Mounting Points	0.25" x 1" Slot Per 8"



TRACK ESSENTIALS

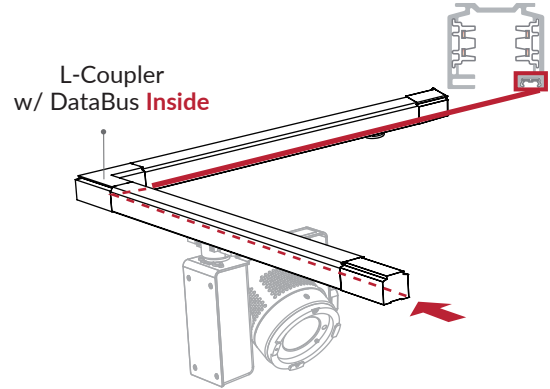
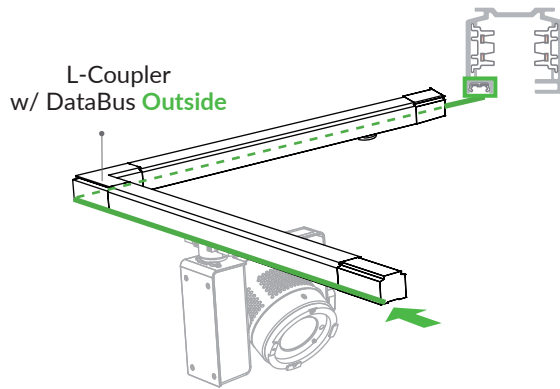
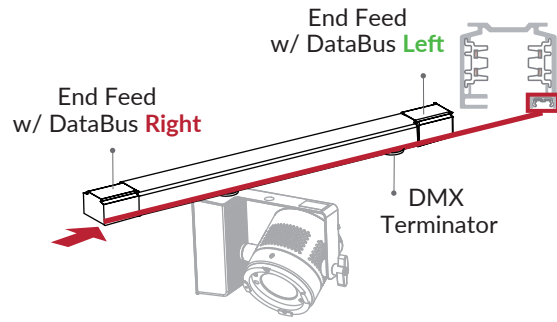
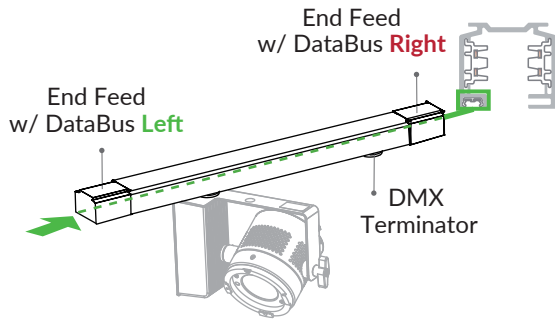
The simplest setup consists of:

1. **DMX Track Segment(s)** cut to the appropriate length
2. **End Feed** that connects power & carries DMX signals
3. **DMX Terminator** to prevent signal interference
4. Another **End Feed** for future track extensions (OR an **End Cap**)

Select components based on DataBus orientation:

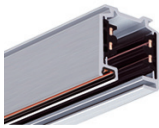


CONFIGURATIONS



COMPONENTS

*available in **black** or **white**



120V, 2 Circuits with Data

4ft	233-102	233-101
8ft	233-202	233-201
12ft	233-302	233-301



DMX Terminator

99-762-2	99-762-6
-----------------	----------



End Feed

Left	553-2-1202-2	553-2-1202-6
Right	555-2-1201-2	555-2-1201-6



Flex Coupler

553-2-1211-2	553-2-1211-6
---------------------	--------------



Straight Coupler with Feed

Power	553-2-1208-2	553-2-1208-6
No Power	555-2-1206-2	555-2-1206-6



Canopy Cover

198-60-0003-2	198-60-0003-6
----------------------	---------------



L-Coupler

Inside	553-2-1210-2	553-2-1210-6
Outside	555-2-1209-2	555-2-1209-6



End Cap

555-0-1217-2	555-0-1217-6
---------------------	--------------