

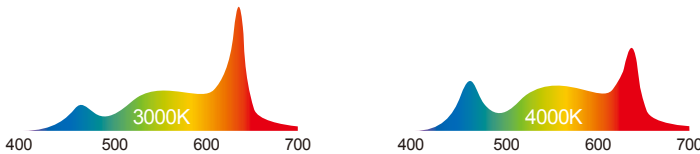
TCF Series LED Track Light

High CRI / Full Spectrum / Fixed CCT



CRI	90 or Above
Spectrum	Full Spectrum, No UV
Beam Angle	46° Flood
Efficacy	50 Lumens per Watt
Input Voltage	Universal 100-240V AV / 50-60 Hz
Dimming	Manual Knob / 100% to 20%, and Off
Thermal	Active Cooling (28 dBA max)
Operating Temp	0 to 40°C
Dimensions / Weight	7.2" x 6.2" x 6.8" / 2.6 lbs
Material	Aluminum Housing / Aluminum Bracket
Rotation / Tilt	330° / ± 145° (from Vertical Down)
Accessory Mounting	Thumb Screw
LED Source	DiCon's Multi-Chip Dense Matrix LED
Expected Life	50,000 Hours / 70% Lumen Maintenance
Warranty	5 Years
Standards	Tested to LM79 and LM80 Protocols

OPTICAL SPECTRUM



CRI Measurement	R1	R2	R3	R4	R5	R6	R7	R8	R9	R10	R11	R12	R13	R14	R15	CRI Ra	CRI Extended
3000K	92	99	85	92	95	99	92	82	67	93	91	83	94	89	89	92	89
4000K	95	94	87	93	92	90	99	99	94	81	90	63	95	92	96	94	91

*Values in this table are typical

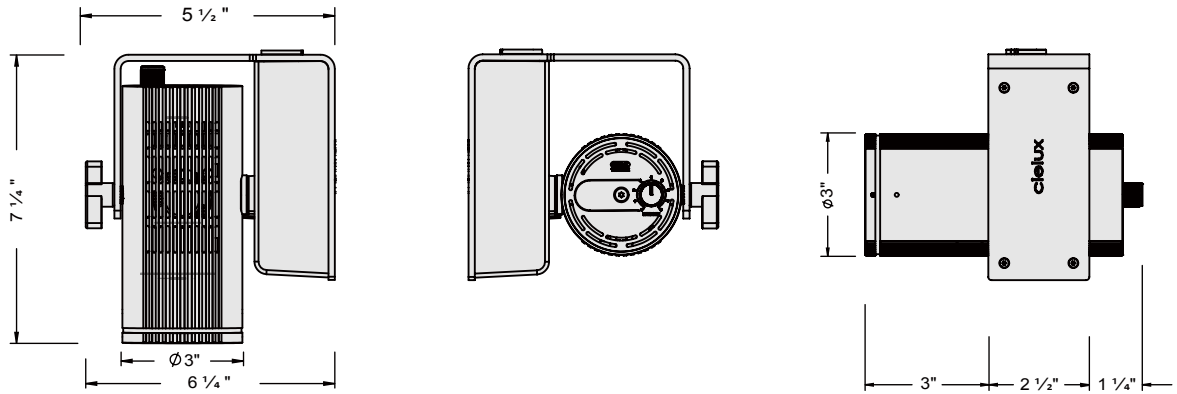
ORDERING GUIDE

TCF	<input type="text"/>	-	<input type="text"/>	-	<input type="text"/>	-	<input type="text"/>	-	WFD	-	M	-	U
Model	Finish		Track¹		CCT		Beam Angle		Control		Voltage		
25 25W	BK Black		TEK TEK		3000 3000K		WFD Wide		M Manual		U 110-240V		
40 40W	WT White		ECO ECO		3500 3500K								
					4000 4000K								

1. Refer to Mechanical Figures for track adapter info

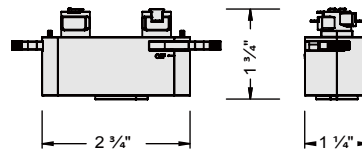
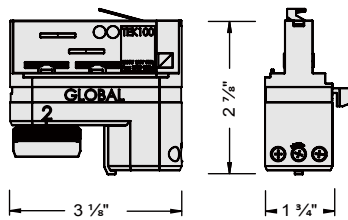
Example: TCF40-BK-TEK-4000-WFD-M-U

MECHANICAL FIGURES

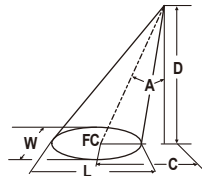


Global TEK - 2 Circuit Track

Global ECO - Halo Track



PHOTOMETRIC DATA



- A** Aiming Angle
- C** Distance to Center of Beam (ft)
- CBCP** Center Beam Candle Power
- D** Distance (ft)
- FC** Footcandles (fc)
- L** Beam Length (ft)
- W** Beam Width (ft)

Fixed 3000K	Beam Angle	CBCP	A=0°				A=30°					A=45°					A=60°				
			D	FC*	L	W	D	C	FC*	L	W	D	C	FC*	L	W	D	C	FC*	L	W
Wide Flood	46°	2450	3.5	202	2.7	2.7	3.0	1.4	215	2.8	2.6	2.5	1.8	226	3.0	2.4	2.0	2.1	211	3.3	2.3
			5.0	99	3.9	3.9	4.5	2.1	96	4.2	3.9	3.5	2.6	115	4.1	3.4	3.0	3.2	98	5.0	3.4
			6.5	59	5.1	5.1	6.0	2.8	54	5.6	5.2	5.0	3.7	57	5.9	4.9	4.0	4.2	55	6.6	4.6
			8.5	34	6.7	6.7	7.5	3.5	34	7.0	6.5	6.5	4.8	33	7.7	6.3	5.0	5.3	35	8.3	5.7
Flood**	36°	3600	4.0	224	2.5	2.5	3.5	1.8	226	2.6	2.5	3.0	2.4	219	3.0	2.4	2.5	3.0	190	3.6	2.4
			5.5	118	3.5	3.5	5.0	2.5	111	3.8	3.5	4.5	3.6	98	4.5	3.6	3.5	4.2	97	5.0	3.4
			8.0	59	5.0	5.0	7.0	3.6	56	5.3	4.9	6.0	4.8	55	6.0	4.8	4.5	5.3	59	6.4	4.4
			10.0	36	6.3	6.3	9.0	4.6	34	6.8	6.3	7.5	5.9	35	7.4	6.0	6.0	7.1	33	8.5	5.8
Spot**	21°	6200	5.0	247	1.9	1.9	4.5	2.5	231	2.1	1.9	4.0	3.7	200	2.6	2.1	3.0	4.5	190	3.5	2.1
			7.5	110	2.8	2.8	6.5	3.6	111	3.0	2.8	5.5	5.1	106	3.6	2.8	4.0	6.0	107	4.6	2.7
			10.5	56	4.0	4.0	9.0	4.9	58	4.2	3.9	7.5	6.9	57	4.9	3.9	5.5	8.3	57	6.3	3.8
			13.5	34	5.1	5.1	11.5	6.3	35	5.4	5.0	9.5	8.8	35	6.2	4.9	7.0	10.5	35	8.1	4.8

*Multiply by 1.07 for 3500K and 4000K **With 3" Fresnel Lens (Optional Accessory)

OPTIONAL ACCESSORIES

ABD3

Barndoor 3"



AFS3

Fresnel Lens 3" (Screwed)

