

Broadcast Series

T80 DMX LED Track Light

ORDERING GUIDE

T80

Model

T80 80W Standard

Finish

BK Black
WH White

Spectrum

T2D Tungsten to Daylight (2800K to 6500K)
3200 Fixed CCT at 3200K
5600 Fixed CCT at 5600K

Track System

US
EU

SPECIFICATIONS



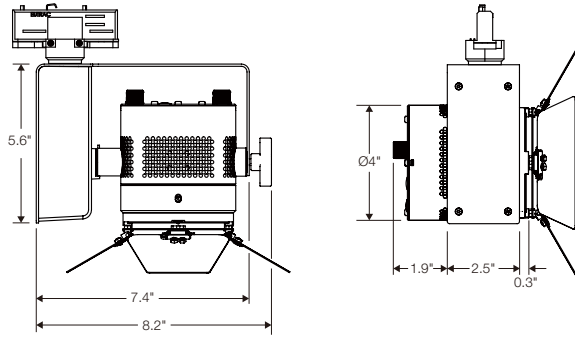
	T2D	3200	5600
Beam Angle	65°	65°	65°
CCT Range	2800K - 6500K	3200K Fixed	5600K Fixed
Hue	± 0.25 Green	N/A	N/A
CRI	95	95	95
Dimming	100% - 0% Flicker Free		
LED	(One) 85W DiCon Dense Matrix LED		
Input Voltage	120V AC / 60HZ		
Power Consumption	85W Max		
Equivalent Output	350W Tungsten		
DMX Channels	3-Channels	1-Channel	1-Channel
DMX Parameters	Intensity, CCT, Hue	Intensity	Intensity
Acoustic Noise	<20.6dB		
Dimensions	5.6" x 8.2" x 4.7"		
Weight	2.98 lbs / 1.35 kg		
Material	PC+ABS Housing / Aluminum Bracket		
Rotation / Tilt	330° / ± 145° (from Vertical Down)		
Display	OLED		
Accessory Mount	Magnetic and Locking Attachment		
Thermal	Active Cooling		
Operating Temperature	32°F - 104°F / 0°C - 40°C		

OPTICAL SPECTRUM

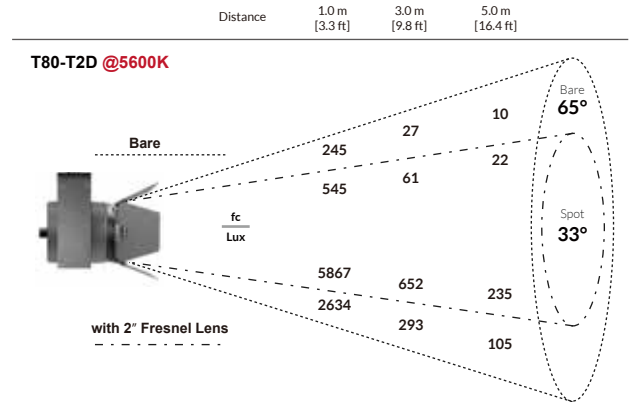
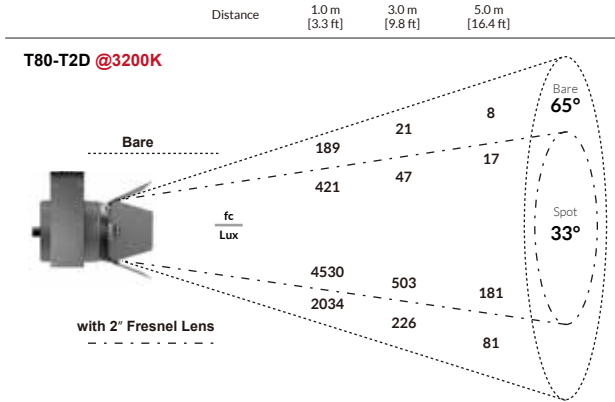
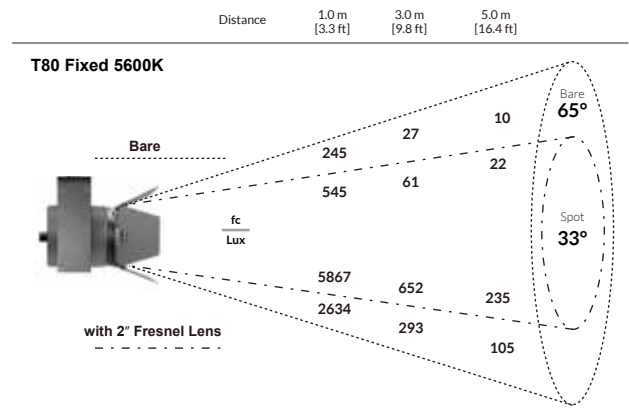
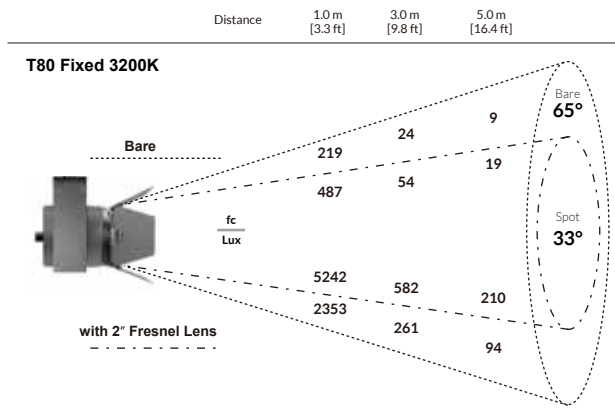
CCT	R1	R2	R3	R4	R5	R6	R7	R8	R9	R10	R11	R12	R13	R14	R15	CRI _{Ra} *	CRI _{Ext} **	TLCI
3200K	98	99	95	97	97	98	97	97	90	94	97	84	97	96	96	97	95	97
5600K	98	99	98	95	96	97	96	96	89	95	94	86	99	99	97	97	96	98

Values in this table are typical.

MECHANICAL FIGURES



PHOTOMETRICS DATA



OPTIONAL ACCESSORIES

