

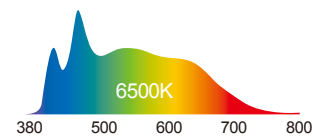
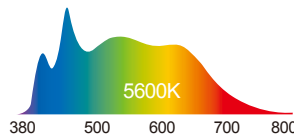
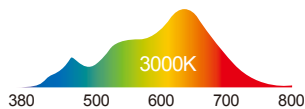
# Q300 LED Spot Light

High CRI / Full Spectrum / Tunable CCT with Hue Control



<b>CRI</b>	> 96
<b>CCT Range</b>	2800K-6500K
<b>Beam Angle</b>	65° (Very Wide Flood) 34°-60° (With 5" Fresnel Lens) 10°-26° (With 8" Fresnel Lens)
<b>Electrical Input</b>	48-54 VDC (Fixture) 100-240 VAC, 50~60Hz, Max 340W AC (Power Supply)
<b>Thermal</b>	Advanced Vapor Cooling
<b>Operating Temp</b>	32-104°F / 0-40° C (over temperature protection)
<b>Weight</b>	12.8 lbs (Very Wide Flood Fixture) 4.8 lbs (Power Supply)
<b>Material</b>	Aluminum Alloy
<b>Rotation / Tilt</b>	330° / ± 145° (from Vertical Down)
<b>Mounting</b>	C-Clamp 5/8" Pin Receiver
<b>LED Source</b>	DiCon's Multi-Chip Dense Matrix LED
<b>Expected Life</b>	42,000 Hours (L70)
<b>Warranty</b>	5 Years
<b>Regulatory</b>	UL Listed
<b>Application</b>	Museums, Art Galleries, Architecture

## OPTICAL SPECTRUM



CRI Measurement	R1	R2	R3	R4	R5	R6	R7	R8	R9	R10	R11	R12	R13	R14	R15	CRI <sub>Ra</sub>	CRI <sub>Extended</sub>
	3000K	97	100	93	96	98	98	98	97	97	95	96	90	98	94		
5600K	98	99	98	96	97	97	97	96	90	97	96	89	99	99	98	97	96
6500K	97	99	98	95	96	97	96	94	86	97	95	88	99	99	97	97	96

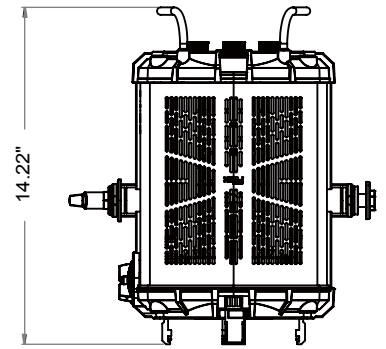
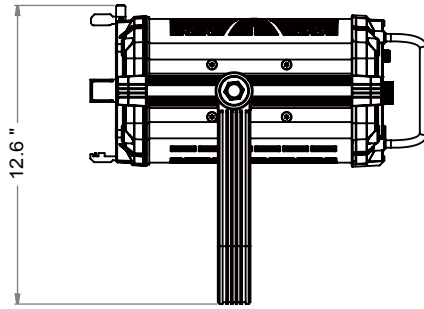
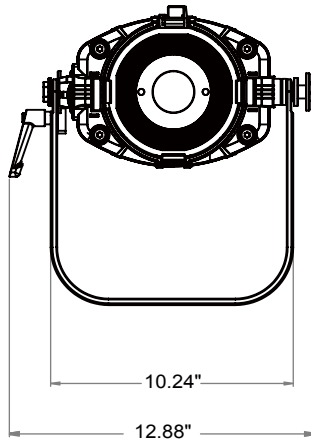
\*Values in this table are typical

## ORDERING GUIDE

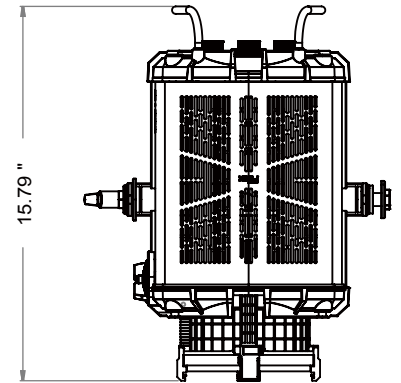
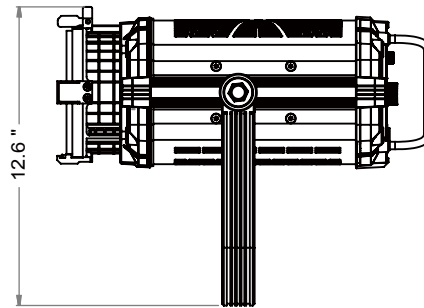
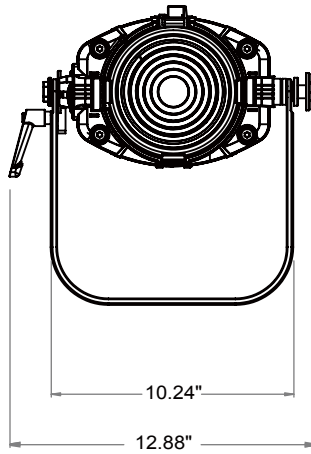
<b>Q300</b>	-	<input type="text"/>	-	<input type="text"/>	-	<b>TW</b>	-	<input type="text"/>	-	<b>DMX</b>	-	<b>PSU</b>
<b>Finish</b>		<b>Mount</b>		<b>Color</b>		<b>Beam Angle</b>		<b>Control</b>		<b>Voltage</b>		
<b>BK</b> Black <b>WT</b> White		<b>CLP</b> C-Clamp <b>PIN</b> 5/8" Pin Receiver		<b>TW</b> Tunable CCT		<b>VW</b> Very Wide Flood <b>F5</b> Fresnel, 5" <b>F8</b> Fresnel, 8"		<b>DMX</b> DMX		<b>PSU</b> 100-240 VAC in, 54 VDC out		

Example: Q300-BK-CLP-TW-VW-DMX-PSU

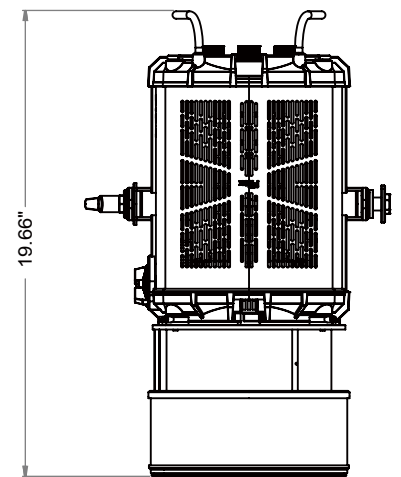
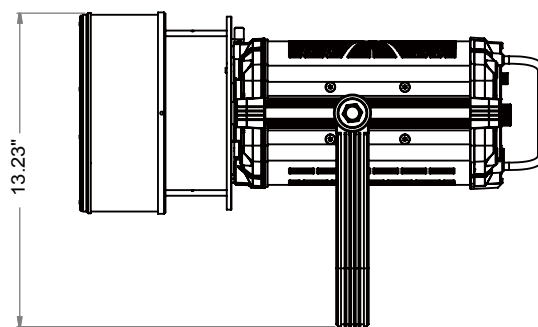
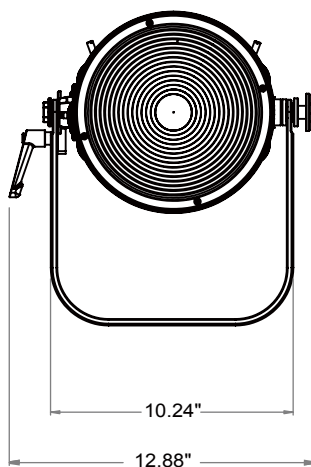
MECHANICAL FIGURES



With 5" Fresnel Lens (Max Dimensions)



With 8" Fresnel Lens (Max Dimensions)



# PHOTOMETRIC DATA

