

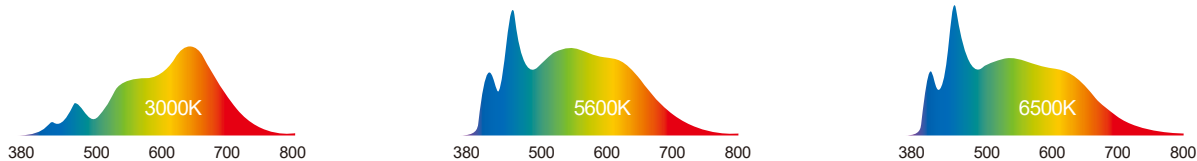
Q180 LED Studio Light

High CRI / Full Spectrum / Tunable CCT with Hue Control



CRI	> 93
CCT Range	2800K-6500K
Beam Angle	32° - 57° (5" Fresnel Lens)
Electrical Input	100-240 VAC, 50~60Hz, Max 185W
Thermal	Active Cooling
Operating Temp	0 to 40°C
Weight	12 lbs
Material	Aluminum Alloy
Rotation / Tilt	330° / ± 145° (from Vertical Down)
LED Source	DiCon's Multi-Chip Dense Matrix LED
Regulatory	UL Listed

OPTICAL SPECTRUM



CRI Measurement	R1	R2	R3	R4	R5	R6	R7	R8	R9	R10	R11	R12	R13	R14	R15	CRI _{Ra}	CRI _{Extended}
3000K	97	99	92	96	99	98	98	96	92	92	94	88	97	94	96	97	95
5600K	96	99	98	93	95	97	95	91	73	93	92	84	97	99	93	95	93
6500K	95	98	97	91	94	97	93	89	66	93	90	83	95	99	92	94	91

*Values in this table are typical

ORDERING GUIDE

Q180

Finish

WH White
BK Black

TW

Color Temperature

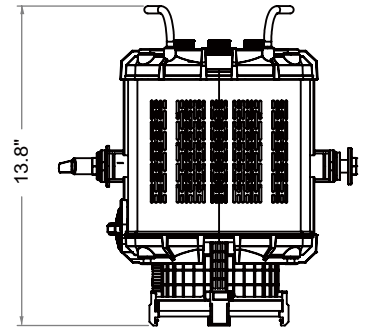
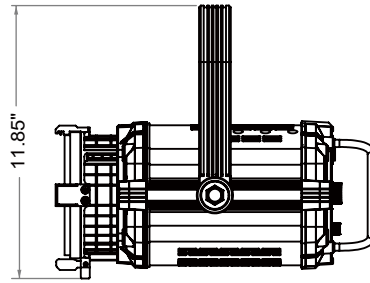
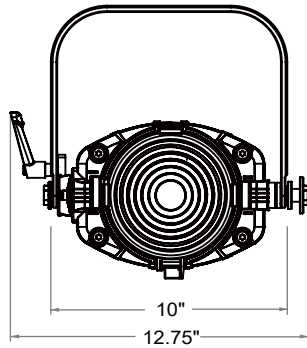
TW Tunable Spectrum

TUN

Plug Type

US
UK
EU

MECHANICAL FIGURES



PHOTOMETRIC DATA

