

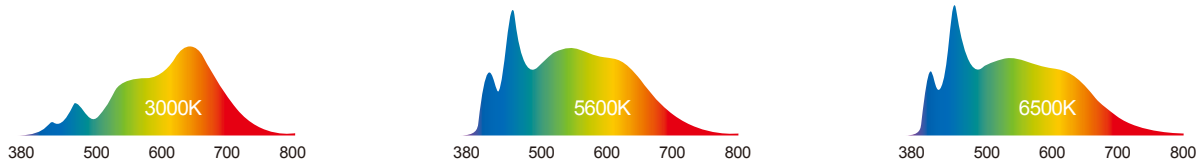
Q180 LED Spot Light

High CRI / Full Spectrum / Tunable CCT with Hue Control



CRI	> 93
CCT Range	2800K-6500K
Beam Angle	52° (Wide Flood) 26° - 44° (5" Fresnel Lens) 10° - 21° (8" Fresnel Lens)
Electrical Input	100-240 VAC, 50~60Hz, Max 185W
Thermal	Advanced Vapor Cooling
Operating Temp	0 to 40°C
Weight	12 lbs (Wide Flood)
Material	Aluminum Alloy
Rotation / Tilt	330° / ± 145° (from Vertical Down)
Mounting	C-Clamp 5/8" Pin Receiver
LED Source	DiCon's Multi-Chip Dense Matrix LED
Expected Life	42,000 Hours (L70)
Warranty	5 Years
Regulatory	UL Listed
Application	Museums, Art Galleries, Architecture

OPTICAL SPECTRUM



CRI Measurement	R1	R2	R3	R4	R5	R6	R7	R8	R9	R10	R11	R12	R13	R14	R15	CRI _{Ra}	CRI _{Extended}
3000K	98	97	92	97	96	95	98	96	89	89	95	85	97	94	97	96	94
5600K	96	98	97	91	93	96	93	87	68	94	90	86	96	99	92	94	92
6500K	95	99	97	90	93	96	93	88	70	86	91	84	97	99	93	94	91

*Values in this table are typical

ORDERING GUIDE

Q180 - - - TW - - DMX - U

Finish

BK Black
WT White

Mount

CLP C-Clamp
PIN 5/8" Pin Receiver

Color

TW Tunable CCT

Beam Angle

WF Wide Flood
F5 Fresnel, 5"
F8 Fresnel, 8"

Control

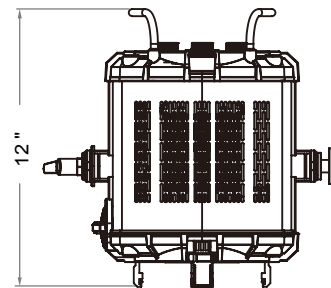
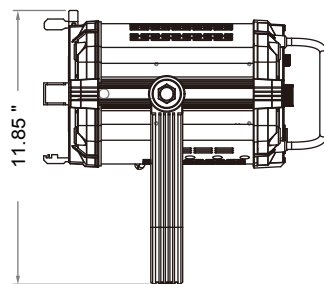
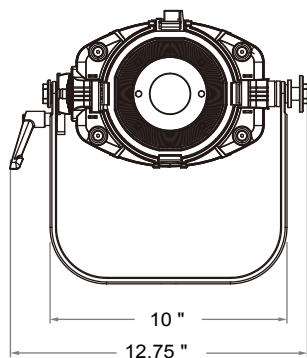
DMX DMX

Voltage

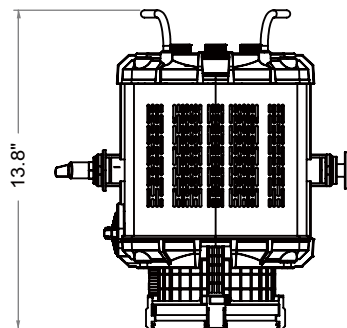
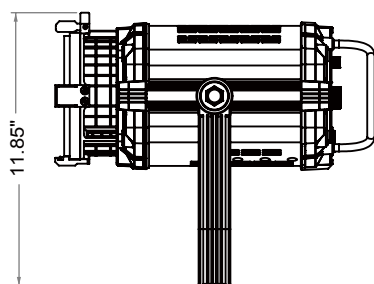
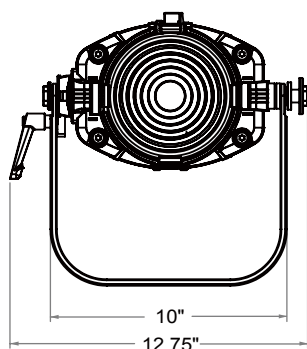
U 100-240V

Example: Q180-BK-CLP-TW-WF-DMX-U

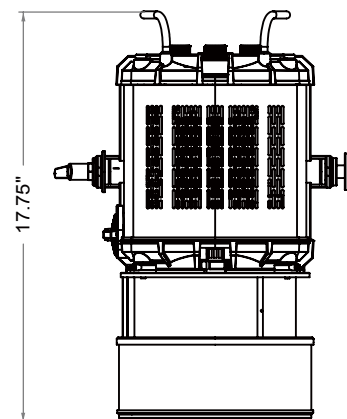
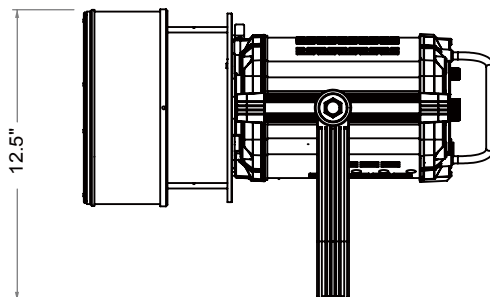
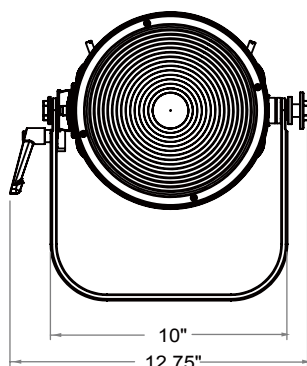
MECHANICAL FIGURES



With 5" Fresnel Lens (Max Dimensions)



With 8" Fresnel Lens (Max Dimensions)



PHOTOMETRIC DATA

