

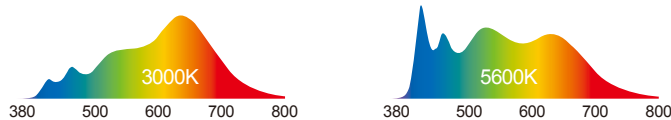
# PA80 LED Spot Light

## High CRI / Full Spectrum / Tunable CCT



<b>CRI</b>	> 93
<b>CCT Range</b>	3000-5600K Continuous Tuning
<b>Beam Angle</b>	65° (Very Wide Flood) 32° (with 2" Fresnel Lens) 12° (with 5" Fresnel Lens)
<b>Electrical Input</b>	12 to 28 VDC (Fixture) 100-240 VAC, 50~60Hz, Max 90W AC (Power Supply)
<b>Thermal</b>	Advanced Vapor Cooling System
<b>Operating Temp</b>	32-104°F / 0-40° C (over temperature protection)
<b>Weight</b>	1.6 lb (Very Wide Flood Fixture) 1.07 lb (Power Supply)
<b>Material</b>	PC-ABS
<b>Tilt</b>	± 145° (from Vertical Down)
<b>Mounting</b>	C-Clamp 5/8" Pin Receiver
<b>LED Source</b>	DiCon's Multi-Chip Dense Matrix LED
<b>Expected Life</b>	42,000 Hours (L70)
<b>Warranty</b>	5 Years
<b>Regulatory</b>	UL Listed
<b>Application</b>	Museums, Art Galleries, Architecture

### OPTICAL SPECTRUM



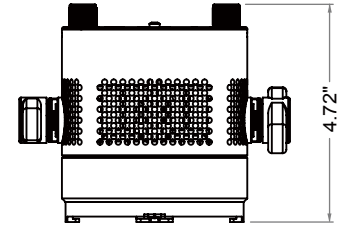
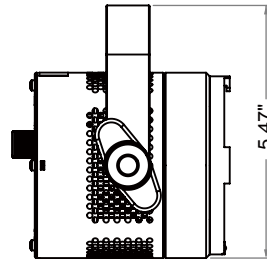
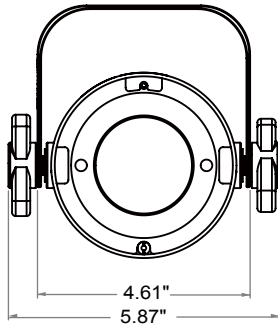
CRI Measurement	R1	R2	R3	R4	R5	R6	R7	R8	R9	R10	R11	R12	R13	R14	R15	CRI Ra	CRI Extended
3000K	94	95	94	94	95	97	97	93	87	99	92	96	94	95	94	95	95
5600K	96	96	88	89	96	95	91	89	84	90	89	91	98	93	94	93	92

### ORDERING GUIDE

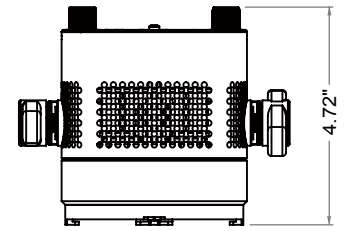
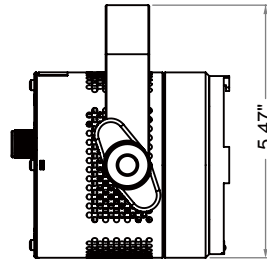
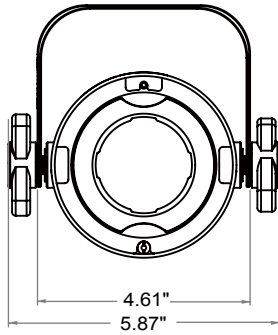
<b>PA80</b>	-	<input type="text"/>	-	<input type="text"/>	-	<b>TW</b>	-	<input type="text"/>	-	<input type="text"/>	-	<b>PSU</b>
<b>Finish</b>		<b>Mount</b>		<b>Color</b>		<b>Beam Angle</b>		<b>Control</b>		<b>Voltage</b>		
<b>BK</b> Black <b>WT</b> White		<b>CLP</b> C-Clamp <b>PIN</b> 5/8" Pin Receiver		<b>TW</b> Tunable CCT		<b>VW</b> Very Wide Flood <b>F2</b> Fresnel, 2" <b>F5</b> Fresnel, 5"		<b>KNB</b> Manual adapter <b>DMX</b> DMX		<b>PSU</b> 100-240 VAC in, 19 VDC out		

Example: PA80-BK-CLP-TW-VW-KNB-PSU

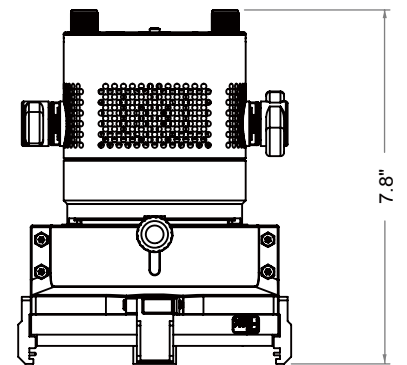
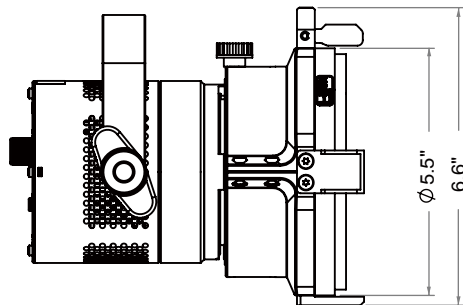
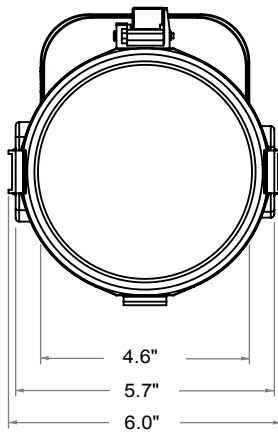
MECHANICAL FIGURES



With 2" Fresnel Lens



With 5" Fresnel Lens



PHOTOMETRIC DATA

