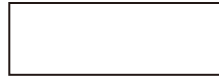


Broadcast Series

Q180 LED Studio Light

ORDERING GUIDE

Q180



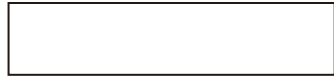
Finish

WH White
BK Black

T2D

Color Temperature

T2D Tungsten to Daylight
(2800K to 6500K)



Plug Type

US
UK
EU

SPECIFICATIONS



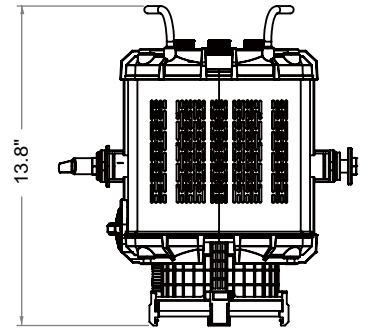
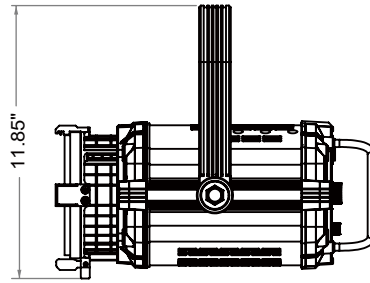
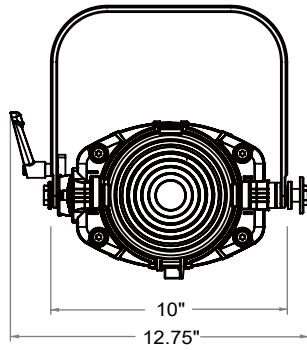
Fresnel Size	5"
Beam Angle	27° - 49°
CCT Range	2800 - 6500K Continuous Tuning
CRI	94 Typical
Hue	± 0.25 Green
Dimming	100% - 0% Flicker Free
Light Engine	Dense Matrix LED
Power Draw	185W Max
DMX Control	3-CH (Intensity, CCT, Hue) via XLR-5 & RJ45 Ports
Input Port	powerCON
Display Type	LCD Screen
Weight	12 lbs / 5.4kg
Size (L x W x H)	13.8in x 12.75in x 11.85in / 35cm x 32.4cm x 30.1cm
Mounting Hole Diameter	1/2" (13mm)
Thermal Design	Active Cooling
Acoustic Noise	22.8 dB
Operating Temperature	32°F - 104°F / 0°C - 40°C
Regulatory	UL Listed

OPTICAL SPECTRUM

CCT	R1	R2	R3	R4	R5	R6	R7	R8	R9	R10	R11	R12	R13	R14	R15	CRI _{Ra} *	CRI _{Ext} **	TLCI
3000K	99	97	91	97	97	95	98	97	88	86	96	83	98	93	97	96	94	96
5600K	93	97	97	91	93	95	94	87	61	88	90	84	93	99	90	94	90	95

*CRI Ra is the averaged result of R1 to R8; CRI Ext is the averaged value of R1 to R15. Typical values shown.

MECHANICAL FIGURES



PHOTOMETRIC DATA

