

Broadcast Series

C85 LED Studio Light

ORDERING GUIDE

C85

Model

C85 85W w/ 5" Fresnel

Finish

BK Black

WH White

Spectrum

T2D Tungsten to Daylight (2800K to 6500K)

3200 Fixed CCT at 3200K

5600 Fixed CCT at 5600K

SPECIFICATIONS



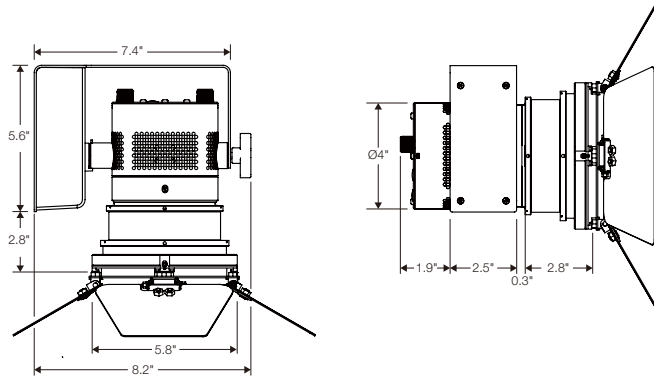
	Tunable (T2D)	3200	5600
CCT Range	2800K - 6500K	3200K Fixed	5600K Fixed
Hue	± 0.25 Green	N/A	N/A
DMX Channels	3-Channels	1-Channel	1-Channel
DMX Parameters	Intensity, CCT, Hue	Intensity	Intensity
Fresnel Size	5" Zoom Lens		
Beam Angle	12° - 35°		
CRI	97 Typical.		
Dimming	100% - 0% Flicker Free		
Light Engine	Dense Matrix LED		
Power Draw	85W Max		
AC Input	120V AC, 60Hz		
Display Type	OLED Screen		
Weight	3.4lbs / 1.5kg (With AC Power Cable)		
Size (L x W x H)	8.2in x 4.7in x 5.6in / 20.8cm x 11.9cm x 14.2cm		
Mounting Hole Diameter	0.5in		
AC Cable Length	US: 10ft / 3m, International: 4.5ft / 1.4m		
Thermal Design	Active Cooling		
Acoustic Noise	22.7dB (Professional Recording Studio Level)		
Operating Temperature	32-104° F / 0-40° C		
Regulatory	UL Listed		

OPTICAL SPECTRUM

CCT	R1	R2	R3	R4	R5	R6	R7	R8	R9	R10	R11	R12	R13	R14	R15	CRI _{Ra} *	CRI _{Ext} **	TLCI
3200K	99	99	95	98	98	98	98	97	94	94	98	87	99	96	98	98	96	98
5600K	98	99	98	95	96	97	97	96	89	95	95	88	98	98	97	97	96	98

*CRI Ra is the averaged result of R1 to R8; CRI Ext is the averaged value of R1 to R15. Typical values shown.

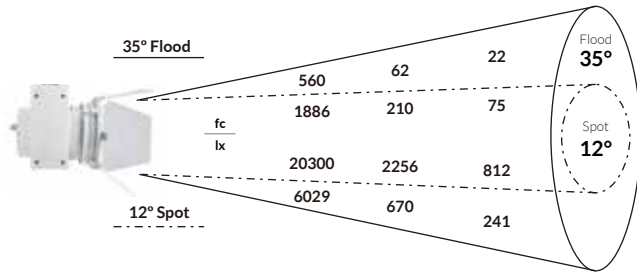
MECHANICAL FIGURES



PHOTOMETRICS DATA

Distance	1.0m [3.3ft]	3.0m [9.8ft]	5.0m [16.4ft]
----------	-----------------	-----------------	------------------

C85 T2D @3200K



Distance	1.0m [3.3ft]	3.0m [9.8ft]	5.0m [16.4ft]
----------	-----------------	-----------------	------------------

C85 T2D @5600K

