

Portable Series

C85 DMX LED Studio Light

ORDERING GUIDE

C85

Model

C85 80W w/ 5" Fresnel

Finish

BK Black
WH White

Spectrum

TWhite Tunable White (2800K - 6500K)
3200 Fixed CCT at 3200K
5600 Fixed CCT at 5600K
FXXXX Custom Fixed CCT

SPECIFICATIONS



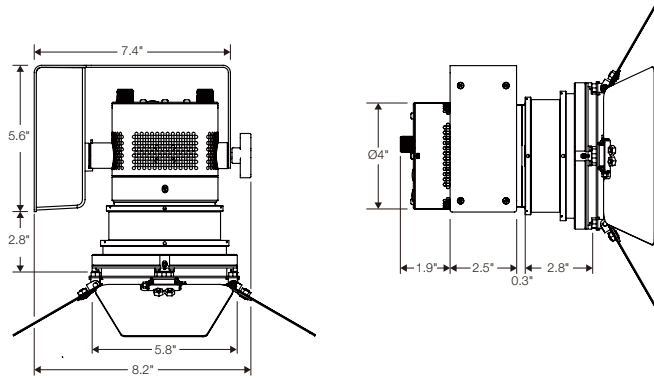
	TWhite	3200	5600
CCT Range	2800K - 6500K	3200K Fixed	5600K Fixed
Hue	± 0.25 Green	N/A	N/A
CRI	95	95	95
DMX Channels	3-Channels	1-Channel	1-Channel
DMX Parameters	Intensity, CCT, Hue	Intensity	Intensity
Dimming	100% - 0% Flicker Free		
Power Consumption	85W Max		
Equivalent Output	350W Tungsten		
Input Voltage	120V AC / 60HZ		
Operating Temperature	32°F - 104°F / 0°C - 40°C		
Dimensions	8.4" x 8.2" x 7.5"		
Weight	4.41 lbs / 2.0 kg (w/ AC Cable)		
Material	PC+ABS Housing / Aluminum Bracket		
Rotation / Tilt	330° / ± 145° (from Vertical Down)		
Accessory Mount	Magnetic and Locking Attachment		
LED Source	Dense Matrix LED		
Beam Angle	65°		
Fresnel Size	5"		
Fresnel Beam Angle	12° - 31°		
Display	OLED		
Acoustic Noise	<20.6dB		
Thermal	Active Cooling		
DMX Ports	2x RJ45		
AC Cable Length	10ft / 3m US, 4.5ft / 1.4m International		
C-Clamp Hole Dia	0.5 in / 12.7 mm		

OPTICAL SPECTRUM

CCT	R1	R2	R3	R4	R5	R6	R7	R8	R9	R10	R11	R12	R13	R14	R15	CRI _{Ra} *	CRI _{Ext} **	TLCI
3200K	98	99	95	97	97	98	97	97	90	94	97	84	97	96	96	97	95	97
5600K	98	99	98	95	96	97	96	96	89	95	94	86	99	99	97	97	96	98

Values in this table are typical.

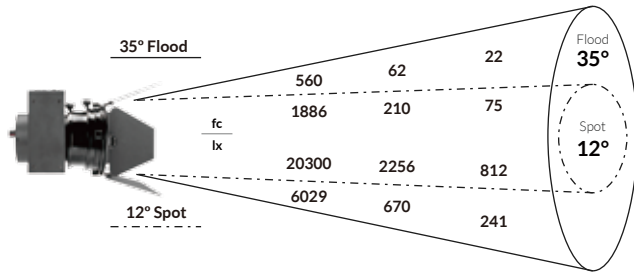
MECHANICAL FIGURES



PHOTOMETRICS DATA

Distance	1.0m [3.3ft]	3.0m [9.8ft]	5.0m [16.4ft]
----------	-----------------	-----------------	------------------

C85 T2D @3200K



Distance	1.0m [3.3ft]	3.0m [9.8ft]	5.0m [16.4ft]
----------	-----------------	-----------------	------------------

C85 T2D @5600K

